

## **OPERATION and MAINTENANCE INSTRUCTIONS**

Product Name: Lifejacket Light

Product Type: LNK-SL2

LNK-SL2W

Document No.: LNK-OM-SL2&W

Version : V3.0

Number pages: 7 pages in all

Effective Date: December 30, 2018

## TABLE OF CONTENTS

<i>SECTION I PURPOSE</i> .....	2
<i>SECTION II DESCRIPTION</i> .....	2
<i>SECTION III INSTALLATION INSTRUCTIONS</i> .....	4
<i>SECTION IV STORAGE REQUIREMENTS</i> .....	5
<i>SECTION V SERVICE LIFE &amp; SAFETY</i> .....	5
<i>SECTION VI INSPECTION</i> .....	6
<i>SECTION VII MAINTENANCE</i> .....	6
<i>SECTION VIII REPAIR AND DISPOSAL INSTRUCTIONS</i> .....	6
<i>SECTION IX PACKAGING INFORMATION</i> .....	7
<i>SECTION X MANUFACTURER INFORMATION</i> .....	7

## **SECTION I PURPOSE**

The operation and maintenance instruction is used to guide users how to operate and maintain LNK-SL2 & LNK-SL2W lifejacket lights properly.

## **SECTION II DESCRIPTION**

### 2.1 Introduction

LNK-SL2 & LNK-SL2W lifejacket lights are alkaline battery-powered emergency lights to be installed on all kinds of life jackets. When the lifejacket lights` water sensors contact water, they will be automatically activated and keep outputting the flashing white light more than 0.75cd light intensity during at least 24 hours (13 hours at -1°C), which can uninterruptedly indicate the survivor`s location to increase the success rate of rescue. They can be manually turned off and turned on if water sensors contact with water.

**LNK-SL2** : only with signal flashing light , can be manually turned off and on while the water sensors contact with water.

**LNK-SL2W** : Available to switch different functions as the operating sequence "FLASHING – STEADY - SOS – OFF" via the manual switch while the water sensors contact with water.

### 2.2 Product Structure

2.2.1 LNK-SL2 & LNK-SL2W lifejacket lights consist of Main body with battery\ LED lamp \ External water sensors\manual switch and installation buckle. The structure is shown as below Figure2-1:

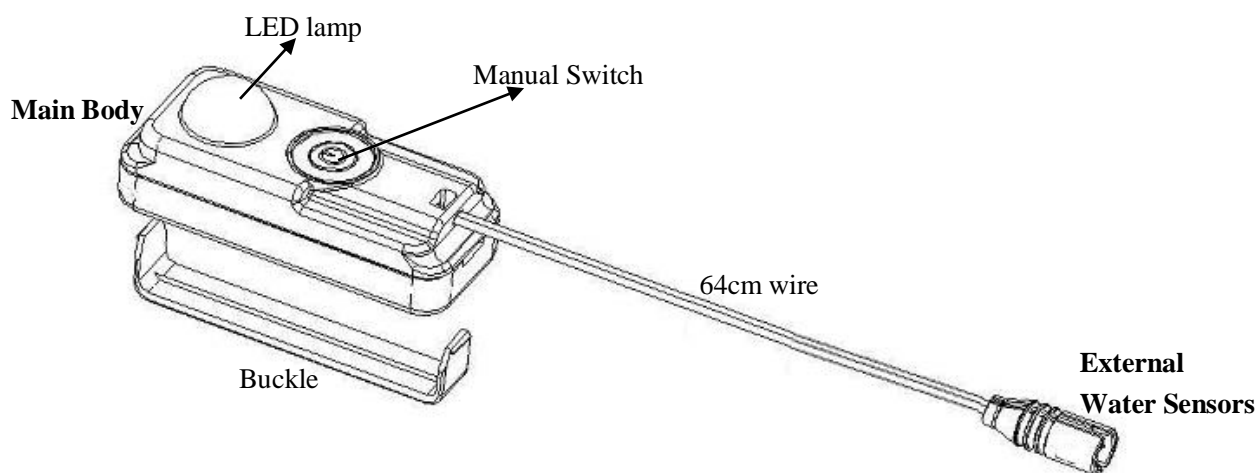


Figure 2-1 Product Structure

2.2.1 The difference between LNK-SL2 and LNK-SL2W lifejacket lights can be identified by the manual switch label as below Figure 2-2, and code number on the label in Figure 2-3.



**LNK-SL2**



**LNK-SL2W**

Figure 2-2 Manual switch label

### 2.3 Technical Parameter

Technical parameter	Specification
<b>Battery</b>	Alkaline batteries
<b>Light source</b>	LED
<b>Chromaticity</b>	White
<b>Light type</b> LNK-SL2	Flashing
<b>Light type</b> LNK-SL2W	Flashing-Steady-SOS-OFF
<b>Flash Frequency</b>	50~70times/min
<b>Luminous Intensity</b>	≥0.75.cd
<b>Operation Life</b>	≧26h over 0.75cd (13h at -1°C)
<b>Storing Temperature</b>	-30°C ~ +65°C
<b>Working Temperature</b>	-1°C ~ +30°C
<b>Expiry Date</b>	5 years
<b>Weight</b>	45g(including buckle)
<b>Dimension</b>	Main Body:62.5*25.4*23.8mm; Buckle: 61.2*9.5*11.7mm; Wire Length:64cm
<b>Activation</b>	Water-activation automatically on / manual off / manual on
<b>Performance</b>	Fire-resistant, Oil-resistant, Mould-proof, Corrosion-proof, Water-proof.
<b>Environment Performance</b>	Meet RoHS and asbestos-free requirement
<b>Standards</b>	MSC.81(70) as amended
<b>Certifications</b>	MED、CCS

Table 2-1 Technical parameter

## 2.4 Marking

2.4.1 Standard product label markings of LNK-SL2 & LNK-SL2W lifejacket lights are shown as below pictures. Figure2-3:



Figure 2-3

2.4.1.1 Marking Label will be fixed at bottom of the light`s main body.

2.4.1.2 Marking label contains:

- ① Basic information : Product name, Manufacturer`s company website, Product Code number, Fulfilled SOLAS standards, Manufacturer, safety CAUTION
- ② Wheel Mark , Notified body number 0474 , and "YYYY" at figure 2-2 ② represents mark affixed year.

2.4.2 MFG batch number and EXP. Date show the latest status of light and manufacturing batch.

2.4.2.1 MFG batch number and EXP. Date will be spurt at other side of the light`s main body;

2.4.2.2 They will be shown as MM/YYYY, "MM" represents the month of manufacturing /expired date , "YYYY" represents the year of manufacturing/expired date.

## **SECTION III INSTALLATION INSTRUCTIONS**

### 3.1 Installation Limitation

LNK-SL2 and LNK-SL2W lifejacket lights are fit for all types of lifejackets.

### 3.2 Installation Requirement

LNK-SL2 and LNK-SL2W lifejacket lights are supplied with fix buckles. The buckle is normally fixed through a belt or the fiber near the shoulder of lifejacket, and the water sensors should be fixed on a lower position of the lifejacket. The typical installation is shown as below picture Figure3-1. The user must ensure that the light attached to the lifejacket firmly:

3.2.1 The main body with LED lamp should be firmly mounted on the attached lifejacket as Figure3-2 and the whole LED lamp part should be clearly seen in the 360°horizontal direction without any obstacle.

3.2.2 The external water sensors should be firmly attached to suitable position (as Figure 3-3

shows) which must ensure the water sensors will be immersed into water when the lifejacket drops in the water.

3.2.3 Installation procedures on life jackets are show as below pictures. Figure 3-1 shows the example installation position of the light. Figure 3-2 and Figure 3-3 shows the installation steps of the lights.

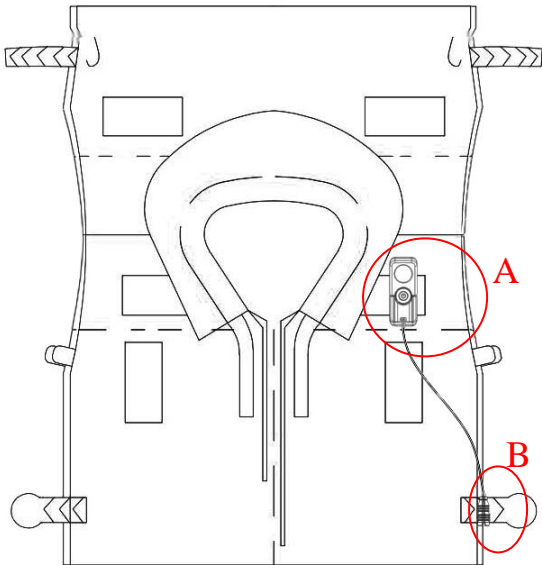


Figure 3-1

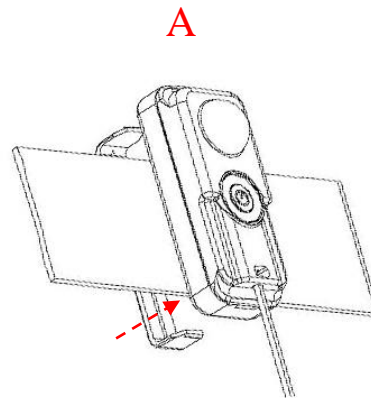


Figure 3-2

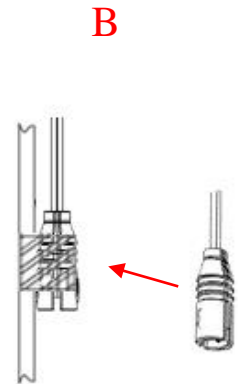


Figure 3-3

## **SECTION IV STORAGE REQUIREMENTS**

### 4.1 Storage Environment Requirements

LNK-SL2 and LNK-SL2W lifejacket lights should be stored in a clean, non-pollution and liquid free environment.

### 4.2 Storage Temperature and Humidity Requirements

Storage temperature should be within  $-30^{\circ}\text{C}\sim+65^{\circ}\text{C}$ ( $-22^{\circ}\text{F}\sim+149^{\circ}\text{F}$ )and the environment humidity should be less than 80%.

## **SECTION V SERVICE LIFE & SAFETY**

5.1 The service life of LNK-SL2 and LNK-SL2W lifejacket lights are five years from the date of manufacture. During the service time the storage and application conditions meet the Section IV storage requirements.

5.2 Once the light was been activated ,it can keep working for more than 26hrs at over 0.75 cd light intensity(13hrs at  $-1^{\circ}\text{C}$ ). After the battery runs out, the light should be removed from the life jacket and replaced by a new one.

5.3 LNK-SL2 and LNK-SL2W lights contain batteries. These processes must be handled correctly:

5.3.1 Do not dismantle battery pack;

5.3.2 Do not make any external electrical connection;

5.3.3 Do not recharge;

5.3.4 Do not incinerate;

5.3.5 Store between -30°C~+65°C.

## **SECTION VI INSPECTION**

### 6.1 Inspection Time

LNK-SL2 and LNK-SL2W lifejacket lights should be inspected before installation or regularly inspected together with lifejackets after installation.

### 6.2 Inspection Methods

6.2.1 Visually inspect the light for signs of damage or corrosion.

6.2.2 Test the light by immersing the water sensors in water, then the light must start flashing at once. And manually pressing switch on main body, and the light can be turned off(LNK-SL2) or switch functions and turned off(LNK-SL2W).

6.2.3 Remove the water sensors from water and dry it, the light can be manually turned off but after 2 seconds it cannot be turned on again.

6.2.4 If any defective appearance is found or not functioning well the light should be regarded as defected. The defective light should be removed from the life jacket and replaced by a new one.

## **SECTION VII MAINTENANCE**

LNK-SL2 and LNK-SL2W lifejacket lights are maintenance free, but in the storage period, do not contact water sensors with hands and ensure the water sensors keep in dry condition all the time.

## **SECTION VIII REPAIR AND DISPOSAL INSTRUCTIONS**

### 8.1 Repair Instructions

LNK-SL2 & LNK-SL2W lifejacket lights cannot be repaired. Just dispose and replace the used, expired lights or other defective lights.

### 8.2 Disposal Instructions

Dispose of used and expired lights in accordance with local regulation. This process should be done through an approved environment disposal agent.

**SECTION IX PACKAGING INFORMATION**

- 9.1 The lights will be packed by middle carton boxes and Master carton .
- 9.2 Each middle carton box contains 80pcs lifejacket lights and 84pcs buckles(4 pcs spared buckles).
- 9.3 Each master carton contains 400units lifejacket lights. The size of master carton is 420\*290\*390 mm and gross weight of each master carton package is about 20.3kg.

**SECTION X MANUFACTURER INFORMATION**

Company name: XIAMEN LONAKO INDUSTRY & TRADE CO., LTD.

Add: N307, Weiye Building, China Pioneering Park, Xiamen, Fujian361009, China

Tel: +86-592-5689172

Fax: +86-592-5689173

Email: info@lonako.com

Web: www.lonako.com